

TOP MOUNTED
ON CONCRETE
OR WOOD

1" x 1" or
1" x 2"
SNAP CAP
1" or 2" WIDE
RAIL CHANNEL

SECTION A-A

EMBEDED
IN CONCRETE

SPECIFICATIONS:

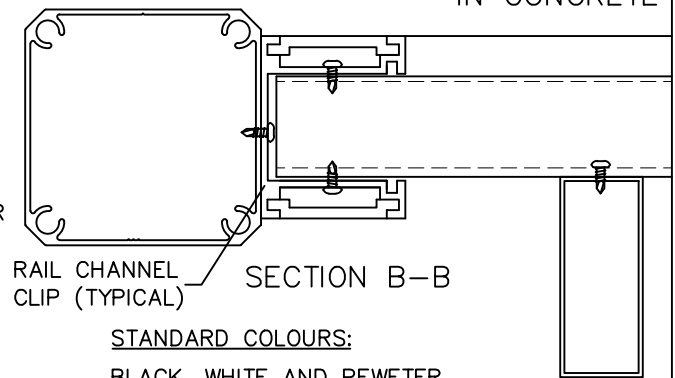
POSTS, RAILS:
& PICKETS: EXTRUDED MARINE 6063-T5
PRIME ALUMINUM, CANADIAN PRODUCED

FINISH: SEVEN STAGE ARCHITECTURALLY
CERTIFIED PRETREATMENT AS
PER AAMA 2604

POSTS: 76mm x 76mm (3" x 3") x 1.65mm WALL OR
51mm x 51mm (2" x 2") x 1.65mm WALL

POST CAPS: PYRAMID OR BALL

FENCE BOARD: ALUM. (USED VERTICAL)
SIZES: 25mm x 25mm (1" x 1")
25mm x 51mm (1" x 2")
25mm x 76mm (1" x 3")
25mm x 150mm (1" x 5")



RAIL CHANNEL
CLIP (TYPICAL) SECTION B-B

STANDARD COLOURS:

BLACK, WHITE AND PEWETER

WARRANTY: 25 YEAR LIMITED

*NOTE: FOR CLEAN AND SEAMLESS FINISH, NO FASTENERS ARE EXPOSED.

COMMENTS:

ARCHITECTURAL
FENCE & RAILINGS

TITLE:

**ALUMINUM FENCE PANEL
STYLE AF-AP3**

DRAWING No.

AF-AP3

CHK'D:

DATE: MAR. 29/2020